

E300

Series

One of the New Generation of JLG Electrics

www.jlg.com/E300



Versatile Electric Boom Lifts You Can Take Almost Anywhere!

JLG equips the E300 Series with our exclusive articulating boom design. The optional jib pivots above or below horizontal of the main boom to provide more precise platform positioning. But that's just one reason our E300 Series stands head and shoulders above all other 30 ft electric machines.

Automatic Traction Control (ATC) lets the E300 Series move effectively both on and off hard slab surfaces.

And, when you combine our ATC advantage and multiple boom function, you'll quickly appreciate the industry leading productivity potential designed into these models.

Not only does the electric powered E300 Series work quieter and without engine emissions, these models are also designed to work longer between charges. Industry leading duty cycles keep the E300 Series on the job up to 50% longer than competitive units between charges.

More Models, More Choices and More Versatility with JLG... WHY GO ANYWHERE ELSE?

30 ft platform height **articulating electric** powered boom lift.

Tight turning radius, zero emissions and **quiet** operation make the E300 Series the machine of choice for indoor applications.

The optional **Jib** and **JibPLUS™** boom features increase the work range, providing improved access in confined work areas, enhancing your productivity.

The **48" narrow chassis** provides the versatility to maneuver in narrow aisles and confined areas.

ATC (Automatic Traction Control) adds to the versatility of the 300 Series by sensing and providing positive traction on uneven surfaces.

Non-marking traction tread tires allow the transition from improved to non-improved surfaces.



Generation E by JLG...See and Feel the Difference!

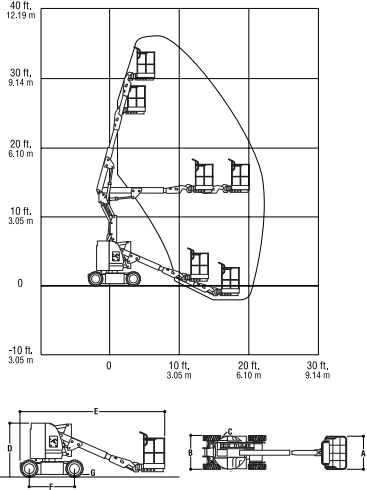
The E300 Series is just one of the innovative products ushering in the new generation of electric powered aerial work platforms by JLG.

The Generation E family of models by JLG gives you more choices, with platform heights ranging from 30 to 60 feet. You can select the chassis size you need, including narrow

models created to maneuver through warehouse aisles.

Plus, you get innovative designs borne out of the JLG tradition for high productivity, high value machines designed to put you in a powerful and productive position.

JLG MODEL E300A



REACH SPECIFICATIONS

Platform Height	30 ft (9.14 m)
Horizontal Outreach	20 ft (6.1 m)
Up and Over Height	13 ft 1 in (3.99 m)
Swing	360 Degrees Non-Continuous
Platform Capacity	500 lb (230 kg)
Platform Rotator	180 Degrees Hydraulic

DIMENSIONAL DATA

A. Platform Size	30 x 48 in (0.76 x 1.22 m)
B. Overall Width	4 ft (1.22 m)
C. Tailswing	Zero
D. Stowed Height	6 ft 7 in (2.0 m)
E. Stowed Length	17 ft 2 in (5.23 m)
F. Wheelbase	5 ft 5 in (1.65 m)
G. Ground Clearance	4 in (10 cm)
Gross Vehicle Weight*	14,300 lb (6,486 kg)

CHASSIS

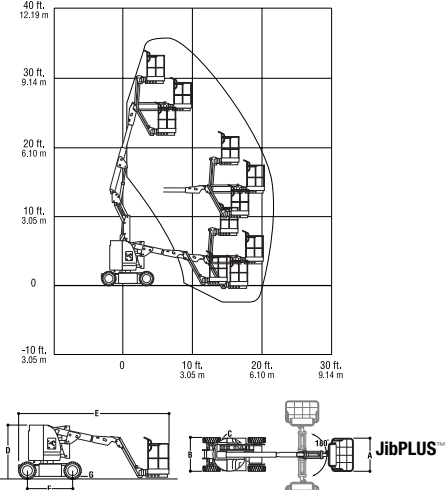
Drive Speed	3.0 mph (4.8 kph)
Gradeability	25%
Turning Radius (Inside)	5 ft (1.52 m)
Turning Radius (Outside)	10 ft 2 in (3.1 m)
Tire Size/Type	7.5 x 12 Non-Marking

POWER SOURCE

Electrical System	48V DC
Batteries	8 x 6V 370 amp/hr
Drive Motors	Dual Electric Traction
Brakes	Automatic Spring Applied Multiple Discs
Hydraulic Motor/Pump	Perm. Magnet Motor/Gear Pump
Hydraulic Reservoir	3 gal (11.4 L)

*Certain options or country standards will increase weight.

JLG MODEL E300AJ & E300AJP



REACH SPECIFICATIONS

Platform Height	30 ft (9.14 m)
Horizontal Outreach (Jib)	20 ft (6.1 m)
(JibPLUS)	20 ft 6 in (6.25 m)
Up and Over Height	13 ft 1 in (3.99 m)
Swing	360 Degrees Non-Continuous
Platform Capacity	500 lb (230 kg)
Platform Rotator	180 Degrees Hydraulic
Jib (range of articulation)	141 Degrees (+ 86, -55) Vertical
(JibPLUS)	180 Degrees Horizontal

DIMENSIONAL DATA

A. Platform Size	30 x 48 in (0.76 x 1.22 m)
B. Overall Width	4 ft (1.22 m)
C. Tailswing	Zero
D. Stowed Height	6 ft 7 in (2.01 m)
E. Stowed Length (Jib)	18 ft (5.49 m)
(JibPLUS)	18 ft 4 in (5.59 m)
F. Wheelbase	5 ft 5 in (1.65 m)
G. Ground Clearance	4 in (10 cm)
Gross Vehicle Weight* (Jib)	14,600 lb (6,623 kg)
(JibPLUS)	15,200 lb (6,895 kg)

CHASSIS

Drive Speed	3.0 mph (4.8 kph)
Gradeability	25%
Turning Radius (Inside)	5 ft (1.52 m)
Turning Radius (Outside)	10 ft 2 in (3.1 m)
Tire Size/Type	7.5 x 12 Non-Marking

POWER SOURCE

Electrical System	48V DC
Batteries	8 x 6V 370 amp/hr
Drive Motors	Dual Electric Traction
Brakes	Automatic Spring Applied Multiple Discs
Hydraulic Motor/Pump	Perm. Magnet Motor/Gear Pump
Hydraulic Reservoir	3 gal (11.4 L)

*Certain options or country standards will increase weight.

THE JLG 1 & 5 WARRANTY

JLG Industries, Inc. backs our products with our exclusive "1 & 5" Warranty. We provide coverage on all products for one (1) full year, and cover all specified major structural components for five (5) full years. Due to continuous product improvements, we reserve the right to make specification and/or equipment changes without prior notification. This machine meets or exceeds applicable OSHA Regulations in 29 CFR 1910.67, 29 CFR 1926.453, and ANSI A92.5-1992, as originally manufactured for intended applications.

FORM NO: SS-E300-10/00
PART NO: 3131115 Printed in the USA

www.jlg.com/E300

JLG Industries, Inc.

1 JLG Drive, McConnellsburg, PA 17233-9553
Telephone 717-485-5161
Toll free in US 877-JLG-LIFT
Fax 717-485-6417

